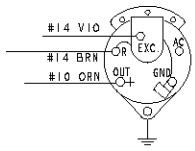
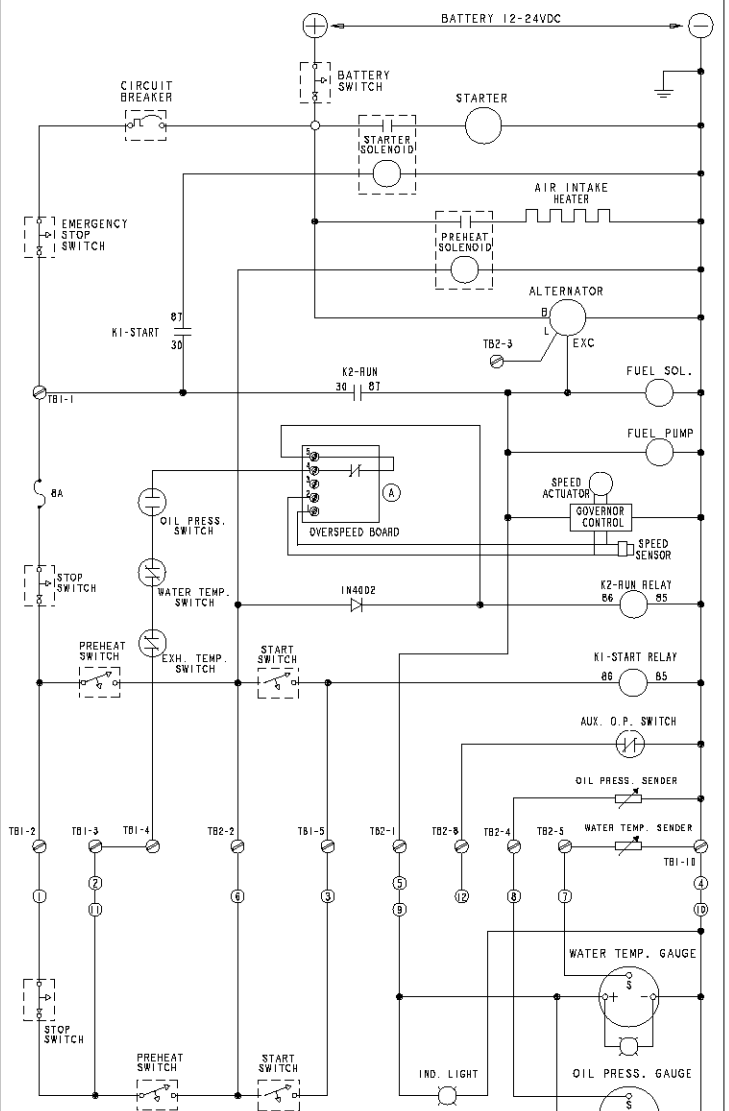
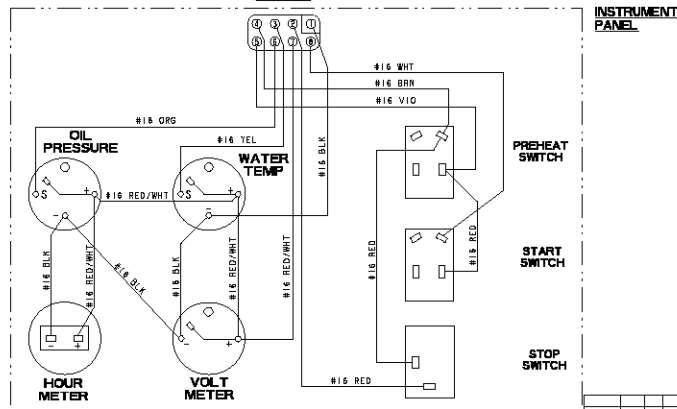
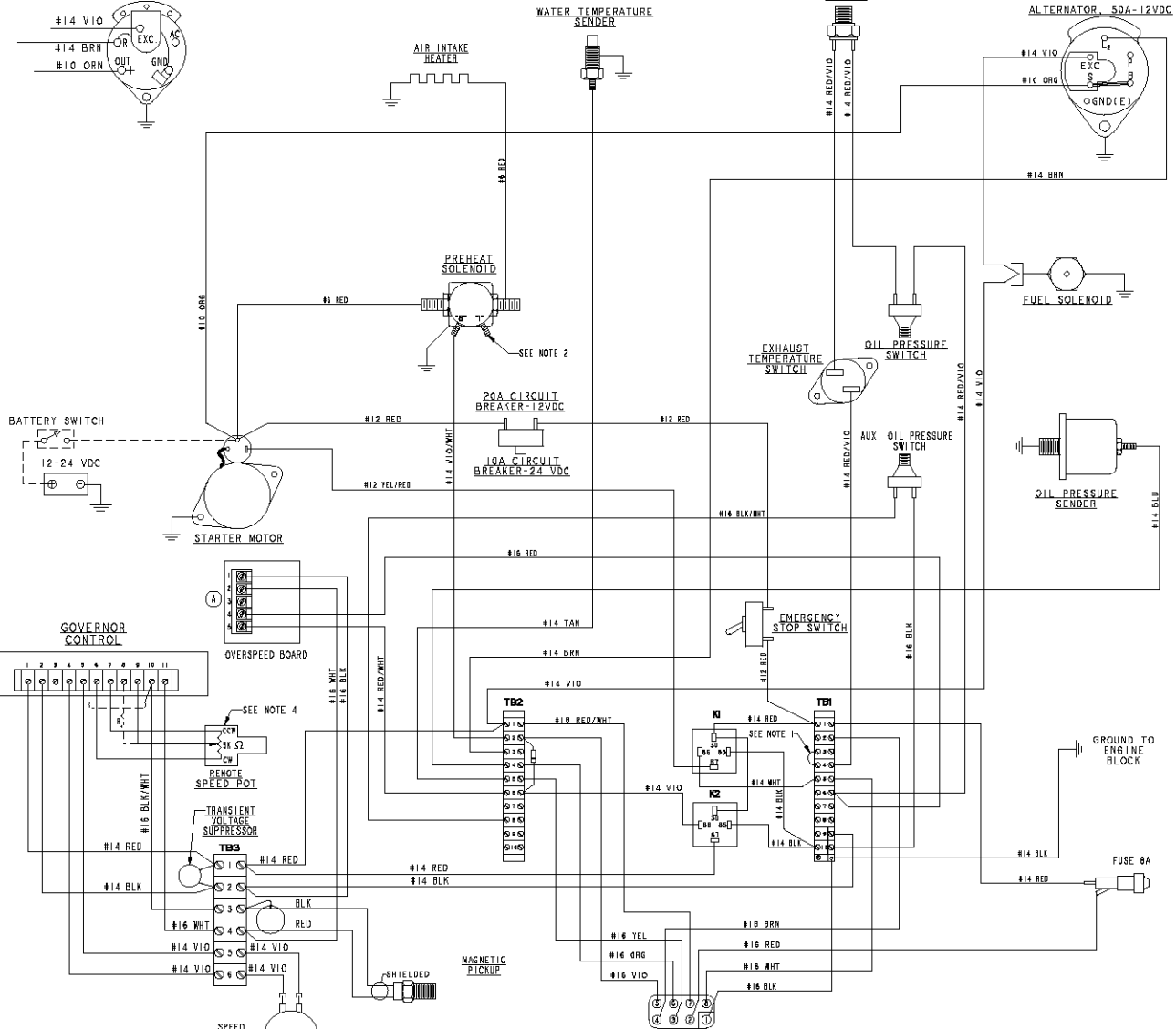
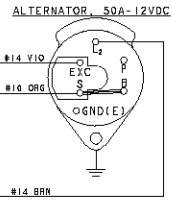


ALTERNATOR, 40A-24VDC



WATER TEMPERATURE SWITCH



-TYPICAL REMOTE START/STOP PANEL CONNECTIONS-

NOTE:
REMOTE CONNECTOR PINS

- NOTES:
1. REMOVE JUMPER WHEN CONNECTING A SECOND REMOTE PANEL.
 2. GROUND "1" TERMINAL OF PREHEAT SOLENOID ON 24V SYSTEM ONLY.
 3. ○ REMOTE CONNECTOR PINS.
 4. THE 5K REMOTE SPEED POTENTIOMETER CAN BE WIRED TWO DIFFERENT WAYS:
 1. AS SHOWN BY THE SOLID LINE FROM THE WIPER OF THE 5K POTENTIOMETER AND THEN CONNECTED TO TERMINAL B (NO RESISTOR REQUIRED). ADJUSTABLE RANGE IS APPROXIMATELY $\pm 5\%$ AT 1800 RPM.
 2. AS SHOWN BY THE DASHED LINE FROM THE WIPER OF THE 5K POTENTIOMETER THROUGH RESISTOR "R" AND THEN CONNECTED TO TERMINAL B, REDUCING THE VALUE OF "R" INCREASES THE REMOTE ADJUSTABLE SPEED RANGE.

